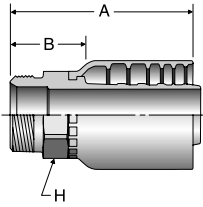


A



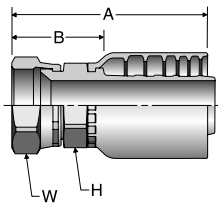
101S6

Male NPTF Pipe - Rigid

| # Part Number | Thread inch | Hose I.D. inch | A | | H | B | |
|------------------|----------------|-------------------|------|-------|-------|------|------|
| | | | inch | mm | inch | mm | |
| 101S6-32-32 | 2 x 11 1/2 | 2 | 5.88 | 149,5 | 2-1/2 | 2.44 | 61,9 |

101S6 is rated at 5,000 psi working pressure.

B



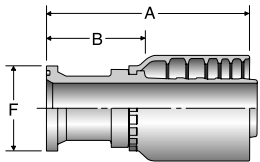
106S6

Female JIC 37° - Swivel

| # Part Number | Thread inch | Hose I.D. inch | A | | H | B | |
|------------------|----------------|-------------------|------|-------|------|------|------|
| | | | inch | mm | inch | mm | |
| 106S6-32-32 | 2 1/2 x 12 | 2 | 6.52 | 165,7 | 2.5 | 3.08 | 78,2 |

106S6 is rated at 5,000 psi working pressure.

C



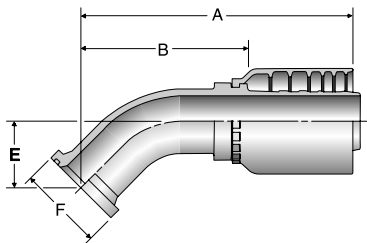
14AS6

SAE Code 61 Flange Head - 5,000 psi

ISO 12151-3-S-L (5,000 psi)

| # Part Number | Flange inch | Hose I.D. inch | A | | F | B | | E | |
|------------------|----------------|-------------------|------|-------|---------|------|------|------|----|
| | | | inch | mm | inch | inch | mm | inch | mm |
| 14AS6-32-32 | 2 | 2 | 6.72 | 170,8 | 2-13/16 | 3.28 | 83,3 | - | - |

D



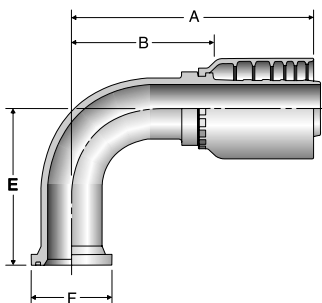
14FS6

SAE Code 61 Flange Head - 45° Elbow - 5,000 psi

ISO 12151-3-E-45S-L (1 Piece: ISO 12151-3-E45M-L) (5,000 psi)

| # Part Number | Flange inch | Hose I.D. inch | A | | F | B | | E | |
|------------------|----------------|-------------------|------|-------|---------|------|-------|-------|------|
| | | | inch | mm | inch | inch | mm | inch | mm |
| 14FS6-32-32 | 2 | 2 | 8.70 | 221,1 | 2-13/16 | 5.26 | 133,6 | 2.205 | 56,0 |

E



14NS6

SAE Code 61 Flange Head - 90° Elbow - 5,000 psi

ISO 12151-3-E-90S-L (1 Piece: ISO 12151-3-E90M-L) (5,000 psi)

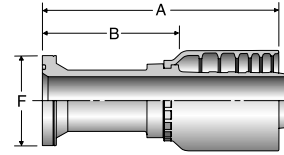
| # Part Number | Flange inch | Hose I.D. inch | A | | F | B | | E | |
|------------------|----------------|-------------------|------|-------|---------|------|-------|-------|-------|
| | | | inch | mm | inch | inch | mm | inch | mm |
| 14NS6-32-32 | 2 | 2 | 8.41 | 213,7 | 2-13/16 | 4.97 | 126,2 | 5.433 | 138,0 |

16AS6

SAE Code 62 Flange Head

ISO 12151-3-S-S

| # Part Number | Flange inch | Hose I.D. inch | A | | F | B | | E | |
|------------------|----------------|-------------------|------|-------|-------|------|-------|------|----|
| | | | inch | mm | inch | inch | mm | inch | mm |
| 16AS6-32-32 | 2 | 2 | 8.21 | 208,6 | 3-1/8 | 4.77 | 121,1 | - | - |

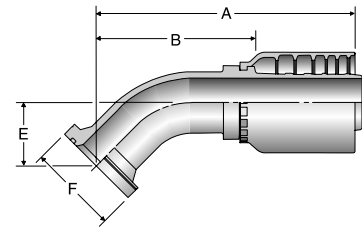


16FS6

SAE Code 62 Flange Head - 45° Elbow

ISO 12151-3-E45S-S (1 Piece: ISO 1251-3-E45-M-S)

| # Part Number | Flange inch | Hose I.D. inch | A | | F | B | | E | |
|------------------|----------------|-------------------|------|-------|-------|------|-------|-------|------|
| | | | inch | mm | inch | inch | mm | inch | mm |
| 16FS6-32-32 | 2 | 2 | 8.70 | 221,1 | 3-1/8 | 5.26 | 133,6 | 2.205 | 56,0 |

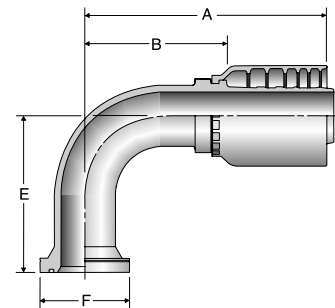


16NS6

SAE Code 62 Flange Head - 90° Elbow

ISO 12151-3-E90S-S (1 Piece: ISO 1251-3-E90M-S)

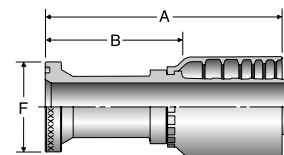
| # Part Number | Flange inch | Hose I.D. inch | A | | F | B | | E | |
|------------------|----------------|-------------------|------|-------|-------|------|-------|------|-------|
| | | | inch | mm | inch | inch | mm | inch | mm |
| 16NS6-32-32 | 2 | 2 | 8.41 | 213,7 | 3-1/8 | 4.97 | 126,2 | 5.43 | 138,0 |



1XAS6

Caterpillar® Flange Head

| # Part Number | Flange inch | Hose I.D. inch | A | | F | B | |
|------------------|----------------|-------------------|------|-------|-------|------|-----|
| | | | inch | mm | inch | inch | mm |
| 1XAS6-32-32 | 2 | 2 | 8.21 | 208,6 | 3-1/8 | 4.77 | 121 |



1JSS6

Female Seal-Lok - Swivel - Long

ISO 12151-1-SWSB

| # Part Number | Thread inch | Hose I.D. inch | A | | H | W | B | |
|------------------|----------------|-------------------|------|-------|------|-------|------|------|
| | | | inch | mm | inch | inch | inch | mm |
| 1JSS6-32-32 | 2-1/2X12 | 2 | 6.46 | 164,2 | 2.5 | 2-7/8 | 3.02 | 76,7 |

